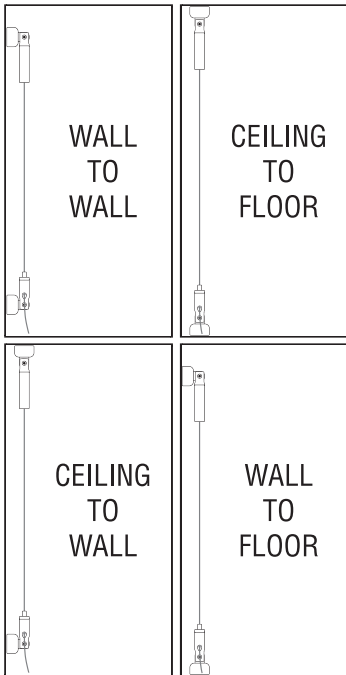


# display The Gallery System

## DIRECTIONS

### PLANNING YOUR DISPLAY SYSTEM

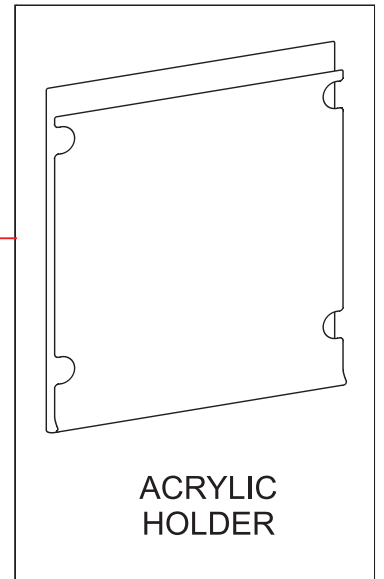


This is a very adaptable system which can be fitted to vertical or horizontal surfaces. eg. The top fitting may be fixed to the ceiling and the bottom fitting to the wall or any other combination.

The tensioned cables support acrylic holders. These are available to fit A4 or A3 (in either portrait or landscape format) paper or can be made up to suit sizes.

It's different to most systems in that the method of tensioning the stainless steel cables uses push button 'grippers' and is simpler and quicker to fit.

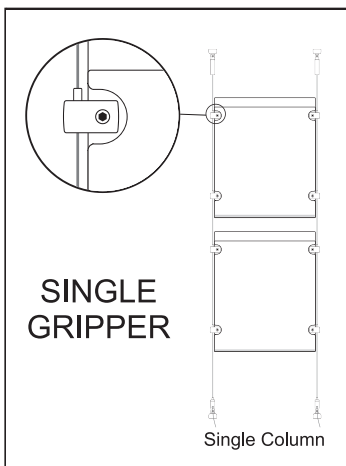
Similar grippers are used to adjust the height of the acrylic holders on cables. It can be used for window displays (eg Real Estate windows) or wall displays.




ACRYLIC HOLDER

### Installation

It's best to begin by planning your installation, then attaching the grippers that support the acrylic holders.

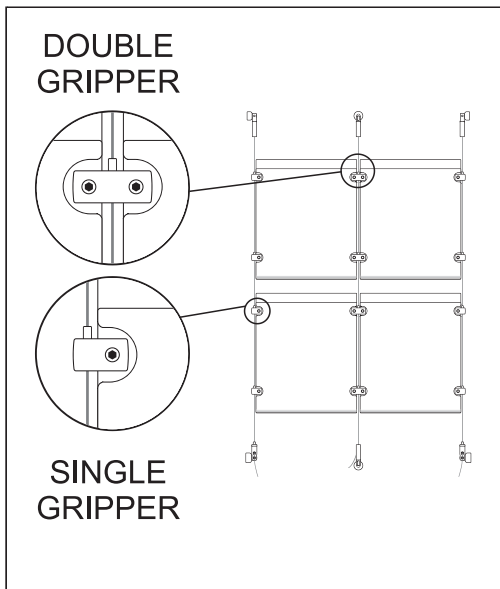


### Single Vertical Columns


Place acrylic holder top side up  and fit two single acrylic fittings with cable grippers to the top of each acrylic as shown with the push button pointing upwards. Tighten grub screws onto acrylic with the Allen key.

Then attach two single acrylic fittings without cable grippers to the bottom of each acrylic with the small cable hole facing upwards. Tighten grub screws onto acrylic with the Allen key.

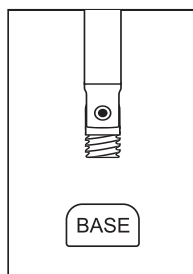
# display The Gallery System



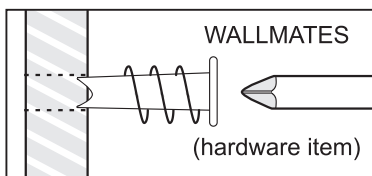
## Multi Row Columns

With acrylic holder top side up  fit single acrylic fittings to the outer edges of the display and double acrylic fittings between adjoining acrylic holders. The fittings with the cable grippers attach to the top of the acrylic with the push button pointing upwards and the fittings without the cable grippers are attached to the bottom of the acrylic with the small cable hole pointing upwards. Tighten grub screws onto acrylic with the Allen key.

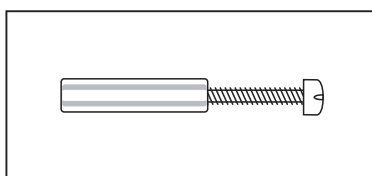
**Top and bottom cable fittings:** The horizontal space between the fittings should be the width of the acrylic holders plus 10mm. Accuracy is important so that the distance between the cables does not vary.



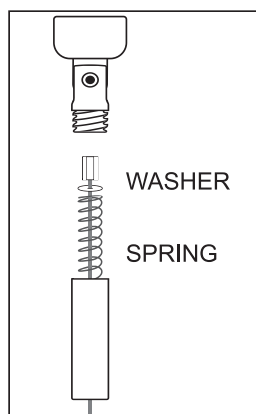
Unscrew bases of the top and bottom fittings and fix them in place with 20mm 6gauge screws. The fittings with the push-button "grippers" should be at the bottom.



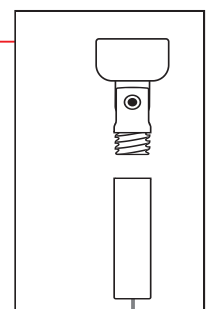
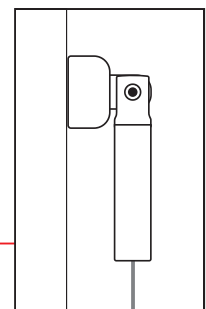
For plasterboard we recommend using Wall-mates or similar fittings which fix to the plasterboard rather than the wall studs. (Simpler and quicker)



For masonry walls use wall-plugs. Screw the fittings back onto the bases and if surface you are fixing to is vertical, swivel the fitting parallel to the wall.



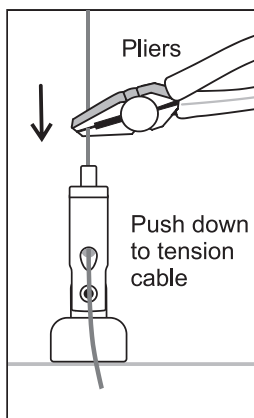
To fit stainless cable first fit the cable not the top fitting. unscrew the bottom tubular section. Feed the end of the cable through the small washer then the spring, then into the bottom casing and through the hole. Then screw the tubular section back in place.



# *display* The Gallery System

## **Hanging the acrylic holders.**

Position the top holder (or side by side set of holders) roughly in position and feed the cables one by one into the acrylic fittings. Adjust by pressing the buttons so the acrylic holders are level (a spirit level may help) and at the right height.



When the acrylic holders are all in position feed cables into the bottom fittings (with the push button grippers) until you have taken up the slack.

Then push the cable down into the gripper using pliers. This compresses the spring in the top fitting and tensions the cable. The gripper will only release if you relieve the tension on the cable by pushing down the top button.

Leave about 50mm of cable poking out the side hole in the fitting and cut the cable using good quality wire cutters.

**WARNING:** If the cables have frayed ends they will not feed successfully into the grippers. "Groom" the ends of the cable so the strands are all sitting neatly together and apply a small amount of super glue. This is important if you need to remove the cable from any of the grippers, then refit them.

# *display* The Gallery System

A division of Bimani P/L ABN. 29 003 007 387

